

# PA10W-N1



## Features

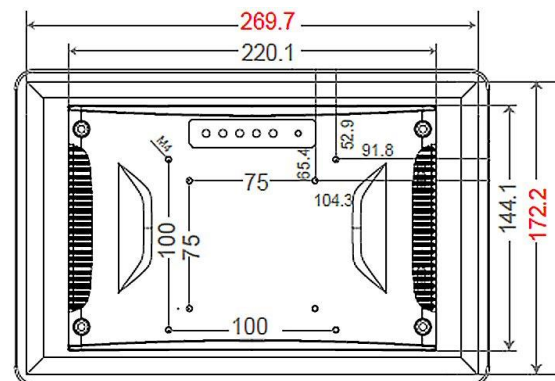
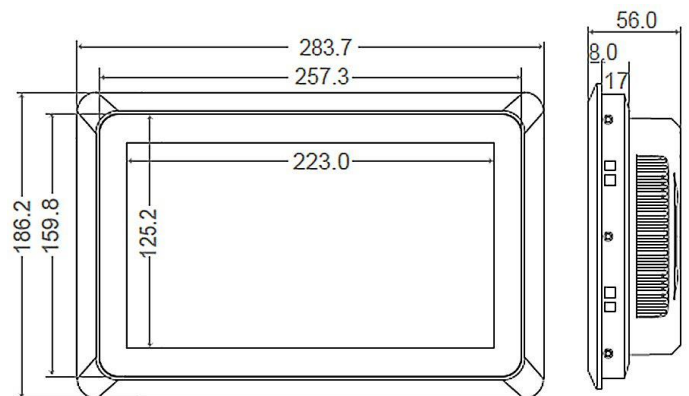
- Quad-Core Cortex-A53 Processor
- 10.1" TFT, 1280x800, 300 cd/m<sup>2</sup>, 50,000 hrs
- DC 12~24V
- Aluminum chassis, fan-less design
- Panel or VESA mount, IP65 front bezel
- Android 6.0
- Suitable for industrial applications

## Specification

CPU Type	Quad-core Cortex-A53 Processor
Memory	2 GB
Flash	8 GB
I/O Interface	2 x USB 2.0 Type A, 1 x OTG 2 x RS232 (DB-9) 1 x HDMI, 1 x Line out phone jack 1 x microSD, 1 x SIM 1 x GbE RJ-45, 1 x WIFI, 1 x BT 4.0
Display	10.1" TFT-LCD, 1280x800 Luminance 300 (cd/m <sup>2</sup> ) View angle 170/170 (H°/V°) Backlight Lifetime 50,000 hours Contrast ratio 1000:1
Touch Screen	Capacitive touch
OS	Android 6.0
Power	12V~24V DC
Construction	Aluminum front bezel and chassis
Net Weight	1.7 (Kgs)
Mounting	Panel Mount, VESA 75x75/100x100
Dimensions	283.7 (W) x 186.2 (H) x 56.0 (D) mm
Cut-out	269.7 (W) x 172.2 (H)
Operating Temp.	-10°C ~ 60°C
Storage Temp.	-20° ~ 80°C
Humidity	10% to 80% @ 40°C (non-condensing)
Certification	CE/FCC (EN 55022, EN 55024, EN 61000-3-2, EN 61000-3-3)

## Ordering Information

PA10W-N1 10.1" Capacitive, Android PPC



Pericom AG

Moskau 314 B CH 8262 Ramsen t 052 740 00 55

Waldstr. 7 D 78262 Gailingen t 07734 48 70 343

www.pericom.biz  
info@pericom.biz