

PA17W-R1



Specification

CPU Type	Dual-core A73 + Quad-core A53 Processor
Memory	4 GB
Flash	32 GB
I/O Interface	2 x USB 2.0 Type A, 1 x OTG 2 x RS232 (DB-9) 1 x HDMI, 1 x Line out phone jack 1 x microSD, 1 x SIM 1 x GbE RJ-45, 1 x WIFI, 1 x BT 4.0
Display	17.3" TFT-LCD, 1920x1080 Luminance 400 (cd/m ²) View angle 160/140 (H°/V°) Backlight Lifetime 50,000 hours Contrast ratio 600:1
Touch Screen	Capacitive touch
OS	Android 7.1
Power	12V~24V DC
Construction	Aluminum front bezel and chassis
Net Weight	4.2 (Kgs)
Mounting	Panel Mount, VESA 75x75/100x100
Dimensions	452 (W) x 285 (H) x 67 (D) mm
Cut-out	435 (W) x 268 (H)
Operating Temp.	-10°C ~ 50°C
Storage Temp.	-20~80°C
Humidity	10% to 80% @ 40°C (non-condensing)
Certification	CE/FCC (EN 55022, EN 55024, EN 61000-3-2, EN 61000-3-3)

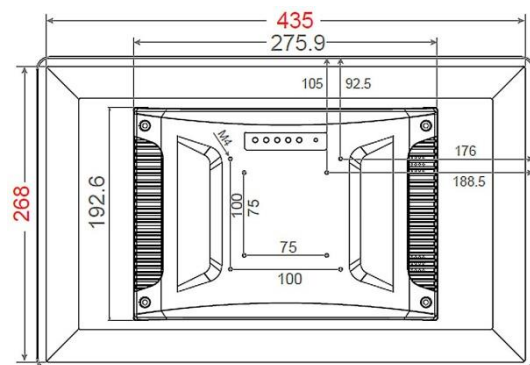
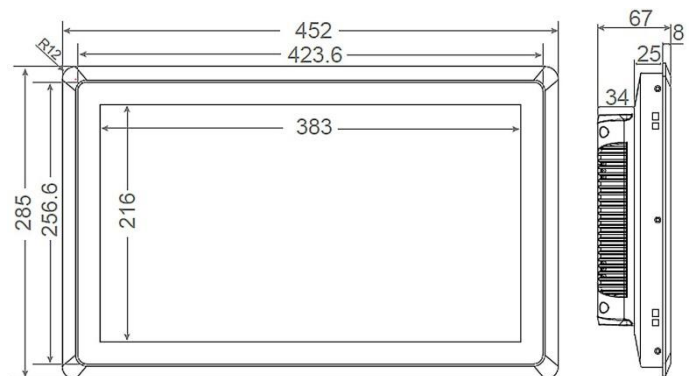
Features

- Dual-core A72 + Quad-Core Cortex-A53 Processor
- 17.3" TFT, 1920x1080, 300 cd/m², 50,000 hrs
- DC 12~24V
- Aluminum chassis, fan-less design
- Panel or VESA mount, IP65 front bezel
- Android 7.1
- Suitable for industrial applications

Ordering Information

PA17W-R1

17.3" Capacitive, Android PPC



Pericom AG

Moskau 314 B CH 8262 Ramsen t 052 740 00 55

Waldstr. 7 D 78262 Gailingen t 07734 48 70 343

www.pericom.biz
info@pericom.biz