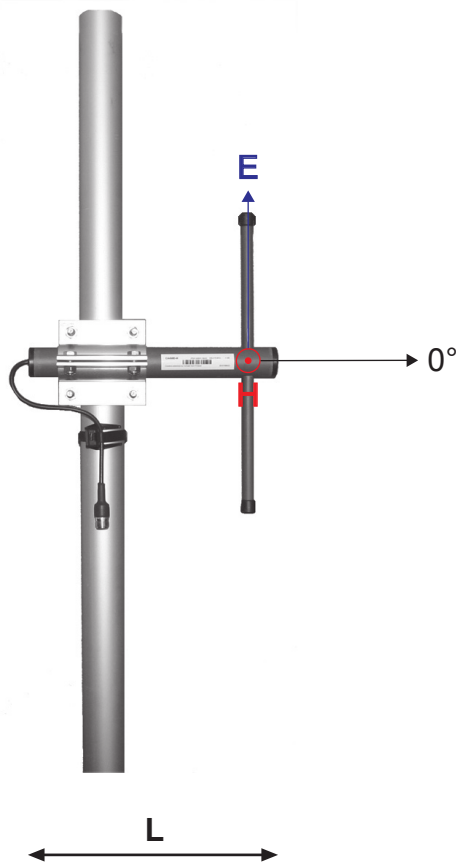
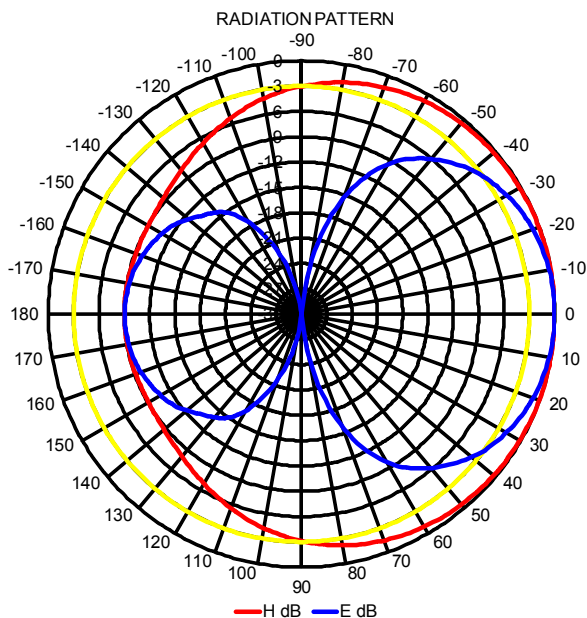


ComAnt[®] Communications Antennas

FREQUENCY INDEPENDENT DATA



Description: offset pattern dipole
 Frequency: 135-145 MHz, 144-156 MHz, 154-166 MHz, 163-177 MHz, 221-239 MHz, 326-353 MHz, 336-364 MHz, 365-395 MHz, 380-410 MHz, 405-440 MHz, 440-475 MHz, 830-890 MHz, 880-960 MHz
 Impedance: 50 ohm
 Gain: 5 dBi
 H -3 dB: 179°
 E -3 dB: 74°
 F/B: 6-10 dB, depending on mounting
 Polarization: vertical/horizontal
 Connector: N-female/TNC-female
 VSWR: < 1.5
 Radome: UV resistant ABS/FG, RAL 7012, PU foam filling
 Radiator: copper
 Attachment: Ø 35-60 mm, aluminium alloy bracket, stainless steel V-bolts and self locking nuts
 Lightning protection: DC-short circuited
 Temperature: -40° - +80°C
 IP: 67



Pericom AG

Moskau 314B
 CH 8262 Ramsen
 t 0041 52 740 00 55

Waldstr. 7
 DE 78262 Gailingen
 t 0049 7734 48 70 343

www.pericom.biz info@pericom.biz

CAD OFFSET PATTERN DIPOLE