

ComAnt[®] Communications Antennas

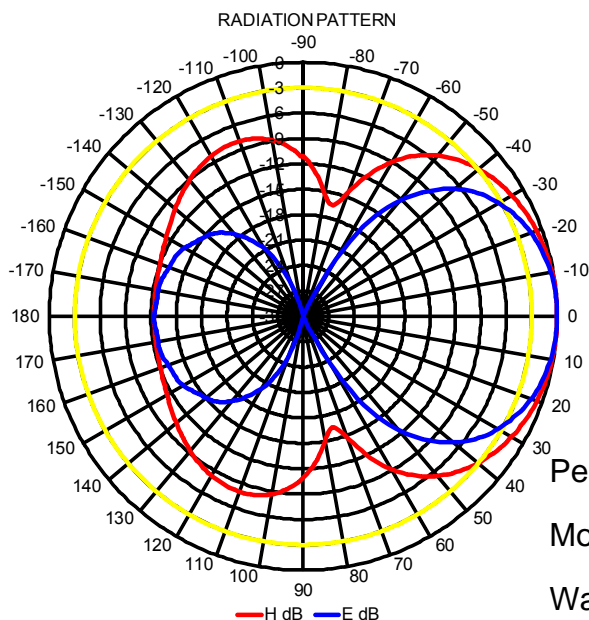
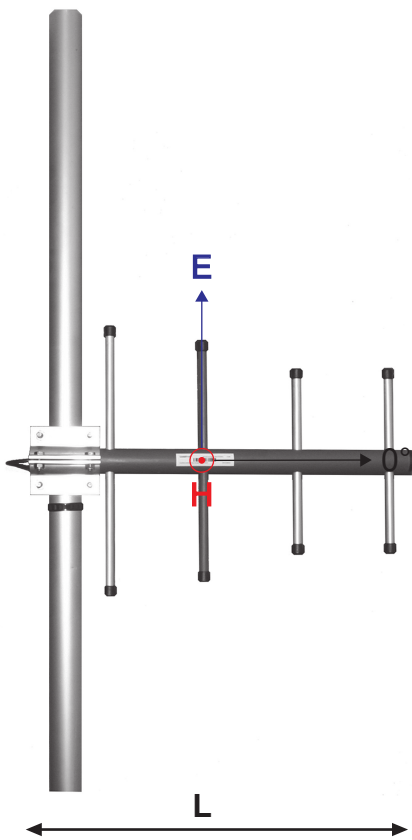
FREQUENCY INDEPENDENT DATA

Description: directional yagi
 Frequency: 135-145 MHz, 144-156 MHz,
 154-166 MHz, 163-177 MHz,
 221-239 MHz, 326-353 MHz,
 336-364 MHz, 365-395 MHz,
 380-410 MHz, 405-440 MHz,
 440-475 MHz, 830-890 MHz,
 880-960 MHz

Impedance: 50 ohm
 Gain: 8 dBi
 H -3 dB: 80°
 E -3 dB: 57°
 F/B: 12 dB
 Polarization: vertical/horizontal
 Connector: N-female/TNC-female
 VSWR: < 1.5
 Radome: UV resistant ABS/FG,
 RAL 7012, PU foam filling
 copper

Radiator: coated aluminium
 Passive elements: Ø 35-60 mm, aluminium alloy
 Attachment: bracket, stainless steel V-bolts and self locking nuts

Lightning protection: DC-short circuited
 Temperature: -40° - +80°C
 IP: 67



peri com.

Pericom AG

Moskau 314B CH 8262 Ramsen 0041 52 740 00 55

Waldstr. 7 D 78262 Gailingen 0049 7734 48 70 343

www.pericom.biz info@pericom.biz

CAY+ DIRECTIONAL YAGI