



## FEATURE HIGHLIGHTS

- 4 x 10/100BaseT(X) (RJ45)
- 1 x fiber port with ST (-Fm model) or SC (-Fs model)
- Broadcast storm protection
- Support IEEE 802.3/ 802.3u/ 802.3x
- 10/100M, Full/Half-Duplex, MDI/MDI-X auto-detection
- Local area transmit distance of 2 Km with Multi-mode Fiber connections
- Long-haul transmit distance of 20 Km with Single-mode Fiber connections
- Redundant dual DC power inputs
- Operating temperature ranges from 0~60°C
- Rugged high-strength plastic case
- DIN-Rail or wall mount sup

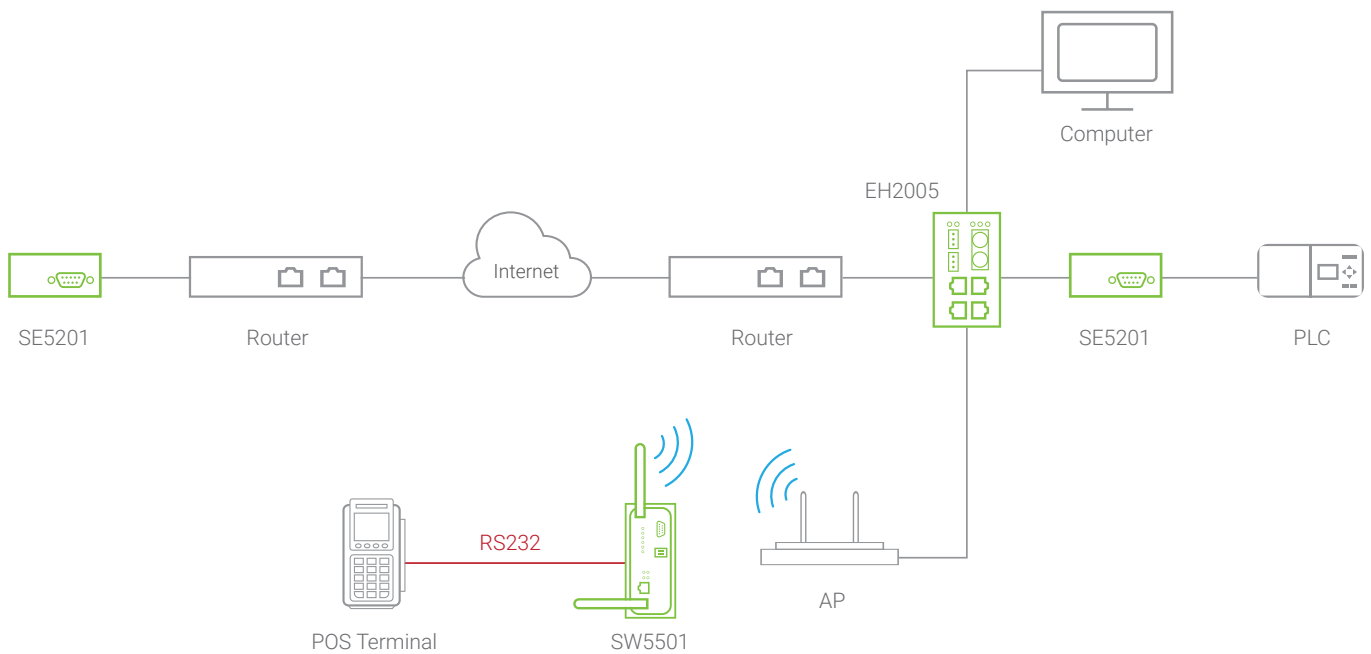
## PRODUCT DESCRIPTION

The EH Series include 5/6-port Ethernet switches that provide two solutions, one with 6 RJ-45 ports and the other with 4 RJ-45 ports and one optic ST/SC port for your industrial applications. These EH series have been designed for industrial environments, such as in hazardous locations that comply with FCC, TUV, UL, and CE standards.

EH series protect itself from receiving too many broadcast packets. During normal use, broadcast packets will be forwarded to all ports except the source port. However, EH series will discard broadcast or multicast packets if the number of those packets exceeds a threshold in a preset period of time. When the preset period expires (about 800ms), it will then resume receiving broadcast or multicast packets until the threshold is reached again.

EH series provide 2 redundant power inputs that can be connected simultaneously to wide-range DC power sources. If one of the power inputs fails, the other live source acts as a backup to provide the EH series' power needs automatically.





## SPECIFICATIONS

### Technical Specifications

Model Name	EH2005-Fm / EH2005-Fs / EH2006
<b>Ethernet</b>	
Transmission Rate	10/100Mbps
Total Port	5 / 6
10/100Mbps	5 / 6
Connector	RJ-45 x 4+ Fm/Fs x 1 (EH2005-Fm/Fs) / RJ-45 x 6 (EH2006)
Auto MDI/MDI-X	Yes
<b>Power</b>	
Input	DC 9 ~ 30V
Connector	3-pin 5.08mm pitch terminal block x 2
Consumption	5.4Watts Max
<b>Environment</b>	
Operating	0°C ~ 60°C ( 32° ~ 140°F )
Storage	-20° ~ 70°C ( -4° ~ 185°F ), 5 ~ 95% RH
High Altitude	Certified for 4000m altitude according to IEC 60068-2-13
<b>Dimension</b>	
W x H x D	45mm x 90mm x 80mm
<b>MTBF(Hour)</b>	
Preceding	107296(EH2005-Fm/Fs) / 112092(EH2006)

## REGULATORY APPROVALS

Regulatory Approvals				
Safety	UL 60950-1 /CSA C22.2 No.60950-1-03 / LVD EN62368-1			
EMC	FCC Part 15, Subpart B, Class A EN 55032, EN 55024, EN 61000-3-2, EN 61000-3-3, EN61000-6-2 , EN61000-6-4			
Test	Item	Value	Level	
IEC 61000-4-2	ESD	Contact Discharge	±4kV	2
		Air Discharge	±8kV	3
IEC 61000-4-3	RS	80-1000MHz	10(V/m)	3
		1.4-2.0GHz	3(V/m)	2
		2.0-2.7GHz	1(V/m)	1
IEC 61000-4-4	EFT	AC Power Port	±2.0kV	3
		Signal Port	±1.0kV	3
IEC 61000-4-5	Surge	AC Power Port	Line-to Line±1.0kV	3
		AC Power Port	Line-to Earth±2.0Kv	3
		DC Power Port	Line-to Line±0.5kV	2
		Signal Port	Line-to Earth±1.0kV	2
IEC 61000-4-6	CS	0.15-80MHz	10V rms	3
IEC 61000-4-8	PFMF	Enclosure	30 V/m	4
IEC 61000-4-11	DIP	AC Power Port	-	A
Shock	IEC 60068-2-27			
Freefall	IEC 60068-2-32			
Vibration	IEC 60068-2-64			
RoHS II	Yes			
MTBF	20 Years			



## ORDERING INFORMATION

### Ordering information

Model name	Part Number	Enclosure
EH2005-Fm	1P1EH2005FM001G	Industrial 5-port Unmanaged Ethernet Switch with 4x 10/100TX & 1x 10/100FX, multi-mode
EH2005-Fs	1P1EH2005FS001G	Industrial 5-port Unmanaged Ethernet Switch with 4x 10/100TX & 1x 10/100FX, Single-mode
EH2006	1P1EH200600001G	Industrial 6-port Unmanaged Ethernet Switch with 6x 10/100TX

### Optional Accessories

Power Adapter	UN315-1212 (US-Y): Y-Type power adaptor, 100~240VAC input, 1.25A @ 12VDC output, US plug, LV6
	UNE315-1212 (EU-Y): Y-Type power adaptor, 100~240VAC input, 1.25A @ 12VDC output, EU plug, LV6

### Optical Fiber Specifications

Speed	Fast Ethernet 100 Base FX	
Mode	Multi-mode	Single-mode
Connectors	ST	SC
Typical Distance	2 Km (Max)	20 Km (Max)
Cable Size Core / Cladding	62.5/125 um	9/125 um
Wavelength	1270(Min)~1360(Max) nm	1263(Min)~1360(Max) nm
Max. TX Power	-14 dBm	-8 dBm
Min. TX Power	-19 dBm	-15 dBm
RX Sensitivity	-34 dBm(Typical) -32 dBm(Max)	-32 dBm(Max)
Link Budget	-	-
Saturation / Overload	-	-
Typical Budget	-	-

Pericom AG

Moskau 314B CH 8262 Ramsen t 052 740 00 55

Waldstr. 7 D 78262 Gailingen t 07734 48 70 343

[www.pericom.biz](http://www.pericom.biz)  
[info@pericom.biz](mailto:info@pericom.biz)

