

FEATURE HIGHLIGHTS



Technology

- 10/100BaseT(X) (RJ45), 100BaseFX (SC/ST connector)
- Broadcast storm protection
- Support IEEE 802.3/ 802.3u/ 802.3x
- 10/100M, Full/Half-Duplex, MDI/MDI-X auto-detection
- Local area transmit distance of 2 Km with Multi-mode Fiber connections
- Long-haul transmit distance of 20 Km with Single-mode Fiber connections

Reliability

- Redundant dual DC power inputs
- Operating temperature ranges from -10~70°C
- Rugged high-strength housing
- DIN-Rail or wall mounting ability

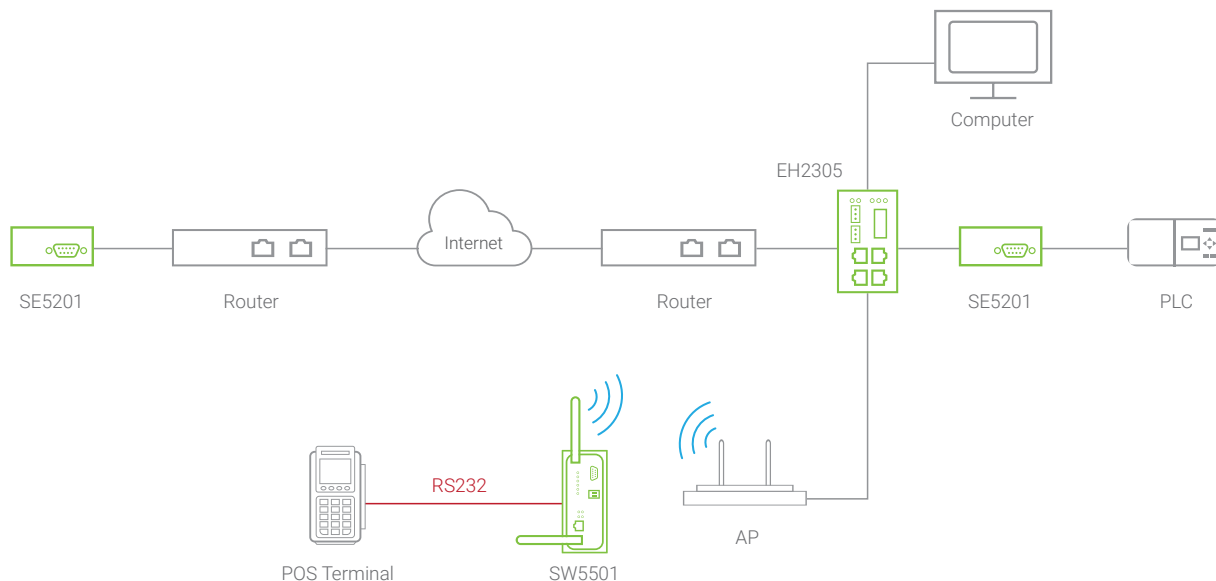
PRODUCT DESCRIPTION

The EH2305-1Fm/1Fs has a metal housing with 4 RJ-45 ports and one optical ST/SC port, it's designed to work in the industrial environment, such as in hazardous locations that comply with CE, FCC, UL and RoHS standards.

The EH2305 series protects itself from receiving too many broadcast packets. During normal use, broadcast packets will be forwarded to all ports except the source port. However, it will discard broadcast or multicast packets if the number of those packets exceeds a threshold in a preset period of time. When the preset period expires (about 800ms), it will then resume receiving broadcast or multicast packets until the threshold is reached again. The EH2306 provides two redundant power inputs that can be connected simultaneously to wide-range DC power sources. If one of the power inputs failure, the other live source acts as a backup to provide the EH2306 the power it needs automatically.

The EH2305 series provides two redundant power inputs that can be connected simultaneously to wide-range DC power sources. If one of the power inputs failure, the other live source acts as a backup to provide EH2305 series the power it needs automatically.



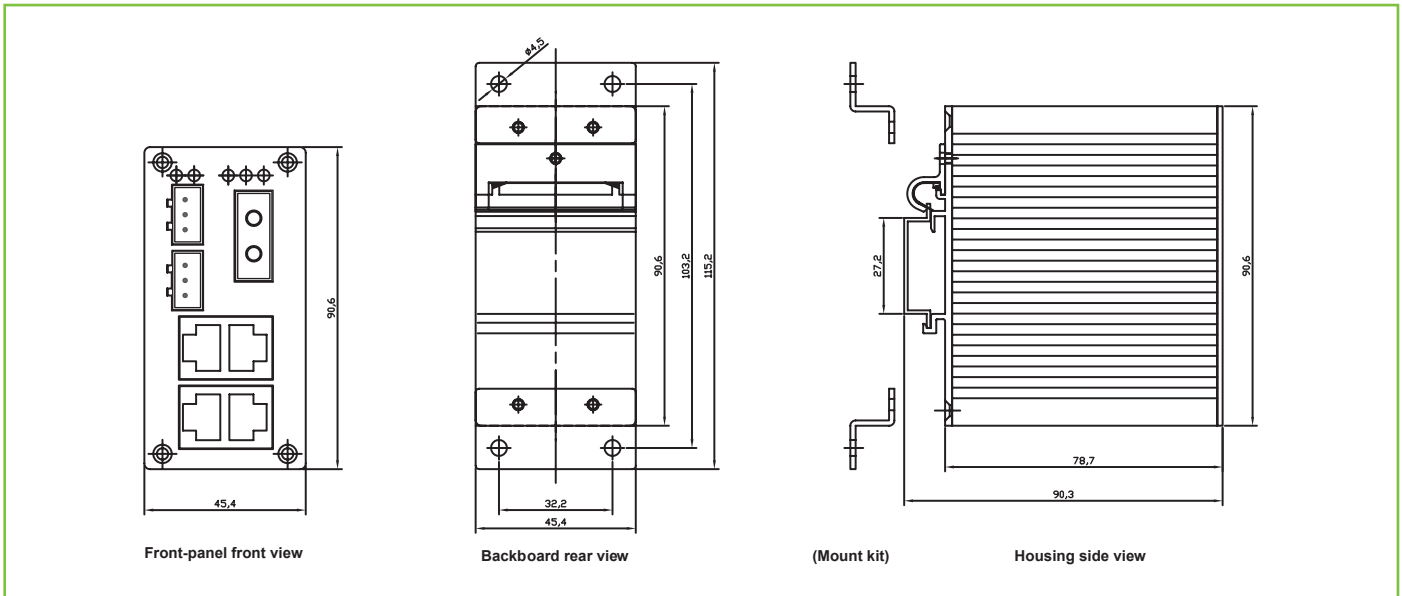


SPECIFICATIONS

Technical Specifications

Model Name	EH2305-1Fm/1Fs
Ethernet	
Transmission Rate	10/100Mbps
Port	5
10/100Mbps	5
Connector	RJ-45 x 4 + Fs/Fm x 1
Auto MDI/MDI-X	Yes
Power	
Input	DC 9 ~ 30V
Connector	Dual 3-pin 5.08mm pitch Terminal block
Consumption	5.4Watts Max
Environment	
Operating	-10°C ~ 70°C (14°F ~ 158°F)
Storage	-40°C ~ 85°C (-40°F ~ 185°F), 5%~95% RH
Notes: For UL policy the maximum operating temperature is 50°C, and the human body can tolerate maximum temperature is 70°C.	
Dimension	
W x H x D	45.2mm x 90mm x 78mm

DIMENSIONS & LAYOUT



REGULATORY APPROVALS

Regulatory Approvals				
Safety	UL 60950-1 /CSA C22.2 No.60950-1-03 / LVD EN62368-1			
EMC	FCC Part 15, Subpart B, Class A EN 55032, EN 55024, EN 61000-3-2, EN 61000-3-3, EN61000-6-2 , EN61000-6-4			
Test	Item	Value	Level	
IEC 61000-4-2	ESD	Contact Discharge	±4kV	2
		Air Discharge	±8kV	3
IEC 61000-4-3	RS	80-1000MHz	10(V/m)	3
		1.4-2.0GHz	3(V/m)	2
		2.0-2.7GHz	1(V/m)	1
IEC 61000-4-4	EFT	AC Power Port	±2.0kV	3
		Signal Port	±1.0kV	3
IEC 61000-4-5	Surge	AC Power Port	Line-to Line±1.0kV	3
		AC Power Port	Line-to Earth±2.0kV	3
		DC Power Port	Line-to Line±0.5kV	2
		Signal Port	Line-to Earth±1.0kV	2
IEC 61000-4-6	CS	0.15-80MHz	10V rms	3
IEC 61000-4-8	PFMF	Enclosure	30 V/m	4
IEC 61000-4-11	DIP	AC Power Port	-	A
Shock Freefall Vibration	IEC 60068-2-27 IEC 60068-2-32 IEC 60068-2-64			
RoHS II	Yes			
MTBF	20 Years			

ORDERING INFORMATION

Ordering information

Model name	Part Number	Enclosure
EH2305-1Fm	1P1EH23051FM01G	Industrial 5-port Unmanaged Fast Ethernet Switch with 4x 10/100TX & 1x 10/100FX Multi-mode
EH2305-1Fs	1P1EH23051FS01G	Industrial 5-port Unmanaged Fast Ethernet Switch with 4x 10/100TX & 1x 10/100FX Single-mode

Optional Accessories

Power Adapter	UN315-1212 (US-Y): Y-Type power adapter, 100~240VAC input, 1.25A @ 12VDC output, US plug, LV6
	UNE315-1212 (EU-Y): Y-Type power adapter, 100~240VAC input, 1.25A @ 12VDC output, EU plug, LV6

Optical Fiber Specifications

	Fast Ethernet 100 Base FX	
Speed	Fast Ethernet 100 Base FX	
Mode	Multi-mode	Single-mode
Connectors	ST	SC
Typical Distance	2 Km (Max)	20 Km (Max)
Cable Size Core / Cladding	62.5/125 um	9/125 um
Wavelength	1270(Min)~1360(Max) nm	1263(Min)~1360(Max) nm
Max. TX Power	-14 dBm	-8 dBm
Min. TX Power	-19 dBm	-15 dBm
RX Sensitivity	-34 dBm(Typical) -32 dBm(Max)	-32 dBm(Max)
Link Budget	-	
Saturation / Overload	-	
Typical Budget	-	

Pericom AG

Moskau 314B CH 8262 Ramsen t 052 740 00 55

Waldstr. 7 D 78262 Gailingen t 07734 48 70 343

www.pericom.biz info@pericom.biz