

PA222W-R0



Ordering Information

PA222W-R0

21.5" Capacitive, 4GB RAM, 64GB Flash

Hardware

ARM Quad-core A55 Processor
4GB (max. 8GB) RAM, 64GB Flash, 1 x microSD
1 x GbE RJ-45, 2 x RS232 (422/485 option)
WiFi 2.4G, BT 5.2, (SIM/GPS option)
2 x USB 2.0, 1 x microUSB
1 x HDMI 1080P@120fps or 4K@60fps
1 x Line-out/Mic-in, 2 x built-in Speakers

Mechanical

Dimension 537.4 (W) x 328.8 (H) x 64.5 (D) mm
Net weight 6.6 (Kgs)
Cut-out 520.2 (W) x 311.6 (H)
Panel Mount, VESA 75x75/100x100
Aluminum front bezel and chassis (Black)

Display & Touch

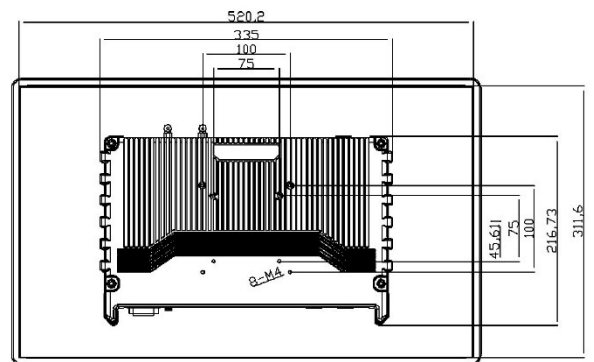
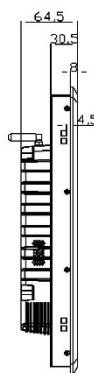
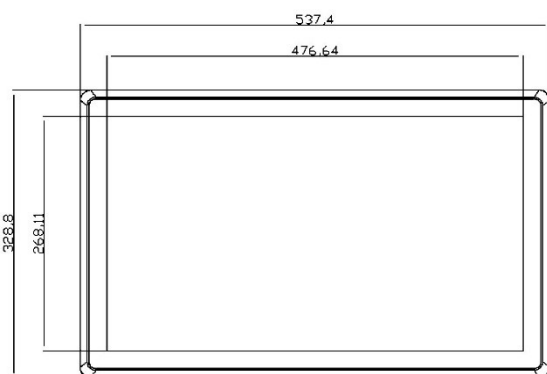
21.5" TFT-LCD, 1920x1080
Brightness 250 (cd/m²)
View angle 178/178 (H°/V°)
Backlight Lifetime 50,000 hours
Contrast 3000:1
Capacitive touch

OS & Power

Android 12.0
12~24VDC, < 35 watts
Automation Browser

Environmental

IP65 Front
Op. Temp -10°C ~ 50°C
Storage Temp. -20°C ~ 70°C
10% to 90% @ 40°C (non-condensing)
CE/FCC (EN 55022, EN 55024, EN 61000-3-2, EN 61000-3-3)



Pericom AG

Moskau 314B CH 8262 Ramsen t 052 740 00 55

Waldstr. 7 D 78262 Gailingen t 07734 48 70 343

www.pericom.biz info@pericom.biz