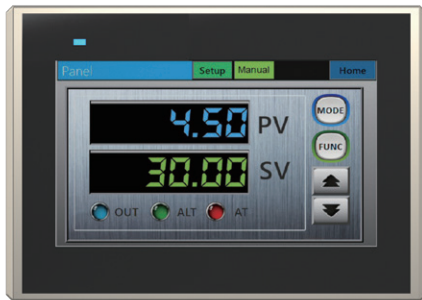


# Industrial HMI Operator Panel P04

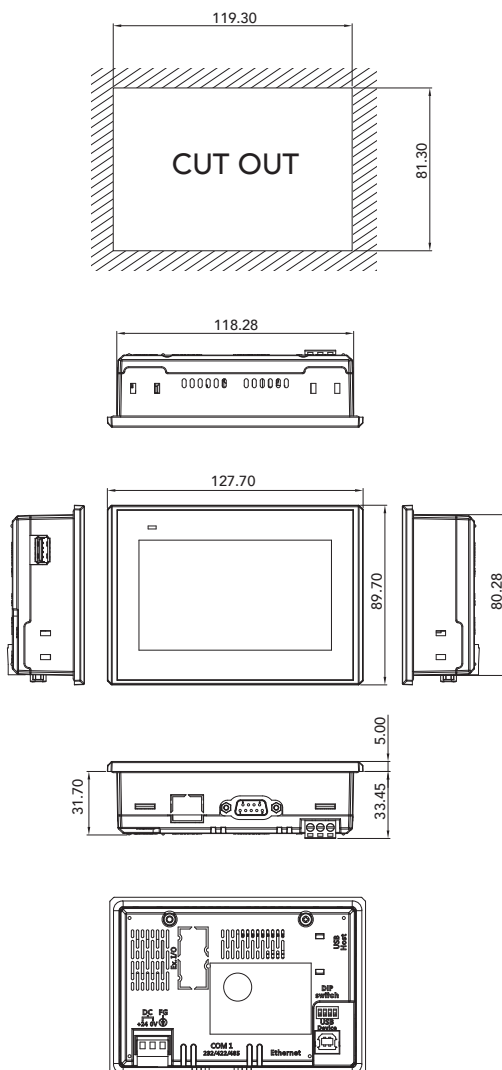


## Features

- TI ARM® Cortex™-A8, Sitara™ AM3352 (1GHz)
- 4.3" TFT 480 x 272, 330 cd/m<sup>2</sup>, 20,000 hours
- 19.2 ~ 28.8V, Isolated Power
- Plastic chassis, fan-less design
- Panel mount, IP65 front bezel
- Suitable for industrial applications

## Specifications

<b>CPU</b>	TI ARM® Cortex™-A8, Sitara™ AM3352 (1GHz)
<b>Memory</b>	512MB
<b>Storage</b>	4GB eMMC
<b>I/O</b>	1 x USB 1.1 host Type A 1 x USB 2.0 device Type B 1 x RS232 1 x RS422/485, COM1 or CAN Bus (Option) 1 x 10/100 Mbit Ethernet Port
<b>Display</b>	4.3" TFT, 480 x 272 Luminance 330 (cd/m <sup>2</sup> ) View angle 140/120 (H°/V°) Backlight Lifetime 20,000 hours Contrast ratio 500:1
<b>Touch Screen</b>	4-wire resistive touch
<b>Power</b>	19.2 ~ 28.8V Isolated Power
<b>Construction</b>	Plastic
<b>Net Weight(Kgs)</b>	0.25 Kg
<b>Mounting</b>	Panel mount
<b>Dimensions (mm)</b>	127.7(W) x 89.7(H) x 36.7(D) mm
<b>Operating Temp.</b>	0°C ~ 45°C
<b>Storage Temp.</b>	-20°C ~ 60°C
<b>Humidity</b>	10% to 90% @ 40°C, (non-condensing)
<b>Certification</b>	CE/FCC (EN 61000-6-4, EN 61000-6-2)



## Ordering Information

### P04-N

4.3" TFT 480 x 272 fan-less HMI with ARM Cortex-A8(1GHz) CPU, 512MB RAM, 4GB eMMC, resistive touch screen, Ethernet, 19.2 ~ 28.8V isolated power, plastic chassis and IP65 front bezel

## Pericom AG

Moskau 314 B CH 8262 Ramsen t 052 740 00 55  
Waldstr. 7 D 78262 Gailingen t 07734 48 70 343

www.pericom.biz  
info@pericom.biz