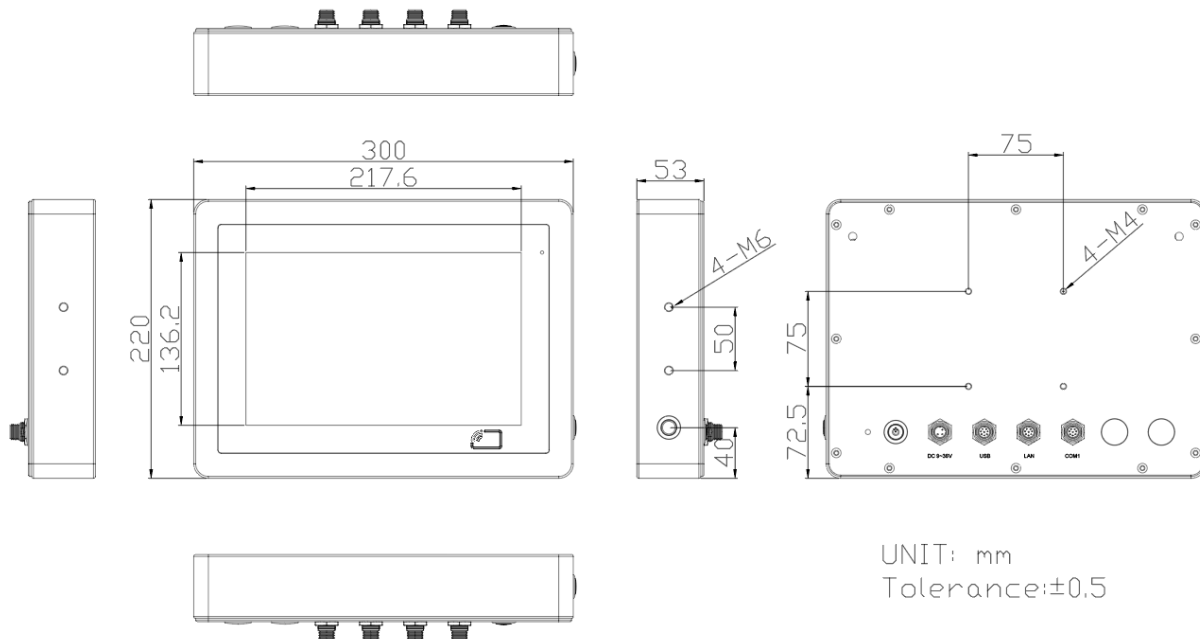




## 10.1" IP66/IP69K Stainless Steel Panel PC

### Features

- 10.1" New Generation Stainless Steel Panel PC
- Intel Celeron J6412 2.0GHz Onboard Processor
- True Flat Front Bezel Design and Grade 304 Stainless Steel Enclosure (Grade 316 for option)
- IP66/IP69K Rated with M12 Connectors
- Support Resistive Touch and Projected Capacitive Touch
- Touch on/off Button on the Side Edge for Hygienic Cleaning
- Support Ergonomic Versatile Mounting: Yoke Mounting / Space-saving VESA 75 x 75 mm Mounting



### Ordering Information

<b>ST108-P</b>	10.1" Intel Celeron J6412(2.0 GHz) Processor, 1 x 260-pin SO-DIMM up to 32GB DDR4 3200MHz, 1 x M.2 B-Key(SATA 3), Support 2242 at default, Projected Capacitive touch, 9~36V input with adapter, Stainless steel chassis.
<b>ST108-R</b>	10.1" Intel Celeron J6412(2.0 GHz) Processor, 1 x 260-pin SO-DIMM up to 32GB DDR4 3200MHz, 1 x M.2 B-Key(SATA 3), Support 2242 at default, Resistive touch, 9~36V input with adapter, Stainless steel chassis.

Model		ST108	
System	CPU	Onboard Intel Celeron J6412(2.0 GHz) Processor	
	Memory	1 x 260-pin SO-DIMM up to 32GB DDR4 3200MHz	
	System Chipset	SoC	
	TPM	TPM 2.0	
I/O Port	USB	1 x M12 8-pin for USB 2.0 with waterproof cover	
	Serial / Parallel	1 x M12 8-pin COM1, RS-232/422/485, default RS-232, with waterproof cover	
	LAN	1 x M12 8-pin for LAN with waterproof cover	
	Power	1 x M12 3-pin for DC power with waterproof cover 1 x Power switch on the rear	
	Others	1 x Touch on/off button at the side	
	Option	2 x optional blank M12 connector with waterproof cover for selecting two from the following options: 2 x USB 2.0 1 x USB 3.0 1 x LAN 1 x COM	
Storage Space	Storage	1 x M.2 B-Key(SATA 3), Support 2242 at default Power	
Expansion	Onboard Expansion bus	1 x Mini-PCIe slot for 4G/5G module 1 x M.2 E-Key 2230 for WiFi/BT module 1 x Nano SIM slot	
	RFID module	RFID Module Design on the Front Side (for option)	
Touch Screen	Type	Resistive Touch (For R model) Projected Capacitive Touch (For P model)	
	Interface	USB	
	Light Transmission(%)	Resistive Touch : 80% Projected Capacitive : 90%	
Mechanical	Construction	304 Stainless steel chassis (default), 316 Stainless steel chassis (optional)	
	Mounting	VESA mount 75 x 75, Yoke mount for optional	
	Dimensions (WxHxD)	300 x 220 x 53 mm	
	IP Rating	Total IP66/IP69K	
	Net Weight	3.94 kg	
Power	Power Input	DC 9~36V	
	Power Consumption	ST108 : 31.46W (MAX)	
Environmental	Operating Temperature	0~50°C/ -20~60°C (option)	
	Storage Temperature	-30~70°C	
	Humidity	10 to 95%@ 40°C, non-condensing	
	Certificate	CE/FCC Class A	
Display		Standard	High Brightness Optional
	Display Type	10.1" TFT-LCD	10.1" TFT-LCD
	Max. Resolution	1280 x 800	1280 x 800
	Max. Color	16.7M	16.2M
	Luminance (cd/m <sup>2</sup> )	350	1000
	View Angle	170(H) /170(V)	170(H) /170(V)
	Contrast	800:1	1300:1
Backlight Lifetime	30,000 hrs	50,000 hrs	
Operating System Support	Windows 10, Windows 11		

Pericom AG

Moskau 314 B CH 8262 Ramsen t 052 740 00 55

Waldstr. 7 D 78262 Gailingen t 07734 48 70 343

www.pericom.biz info@pericom.biz